

Please read and save these instructions. Read carefully before attempting to assemble, install, operate or maintain the product described. Protect yourself and others by observing all safety information. Failure to comply with instructions could result in personal injury and/or property damage! Retain instructions for future reference.

Hydraulic Elevating Carts

Description

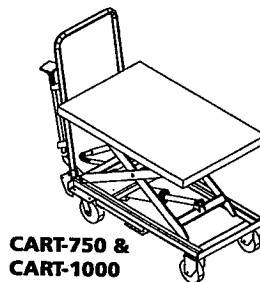
Portable ergonomic elevating carts minimize worker bending and lifting. Materials can be easily loaded onto platform of cart, lowered to safe transporting height, and raised to unload at destination. Moves easily on four polyurethane caster; two swivel with brake and two rigid. All models feature a down speed control valve, internal hydraulic velocity fuse in each cylinder and an exclusive automatic two-speed manual hydraulic foot pump. All steel construction. Powder coated red finish. Failure to follow the proper operating instructions could result in injury.



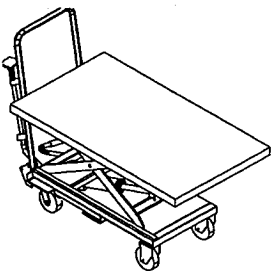
CART-400



CART-800-D



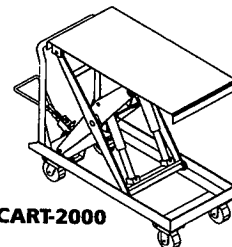
CART-750 &
CART-1000



CART-1000-LD



CART-1500-D



CART-2000

General Safety Information

1. Not a personnel lift. Keep clear when operating.
2. Never go under platform if there is weight on the unit.
3. Remove weight before working on unit.
4. Use only maintenance parts supplied or approved by the manufacturer.
5. Do not change pressure relief valve setting.
6. Do not clamp cylinder in a vise as you may distort barrel.
7. Never operate lift unless you are watching it.
8. Load lift as uniformly as possible.
9. Consult factory for uneven loading.
10. Do not continue to pump if unit is not raising.
11. Relieve system pressure by slowly operating pressure release mechanism.
12. Consult factory if any modifications are going to be made.
13. Do not use brake fluids or jack oils. Use AW-32 or hydraulic oils.

Assembly

(CART-400)

TOOLS REQUIRED: Adjustable Wrench
After unpacking cart, locate foot pedal (L shaped) and the installation bolt.

Unpacking

After receiving a hydraulic elevating cart, visually inspect the frame components and hydraulic unit for damage. If damage is evident, notify delivering carrier immediately and file necessary claims.

Specifications and Dimensions

Load Capacity	Platform Width	Platform Length	Lowered Height	Raised Height	Model Number	Weight (lbs.)
400 lbs.	17-5/8"	27-1/2"	8-3/4"	29"	CART-400	90
750 lbs.	19"	32"	11"	35"	CART-750	250
800 lbs.	20"	35-1/2"	13"	51"	CART-800-D	270
1,000 lbs.	19"	32"	11"	35"	CART-1000	250
1,000 lbs.	32"	63"	11-1/4"	36"	CART-1000-LD	275
1,500 lbs.	25-1/2"	49"	17-1/4"	51-1/2"	CART-1500-D	250
2,000 lbs.	20"	40"	15"	39"	CART-2000	625

Revision Date
07/00

T&S EQUIPMENT COMPANY

P.O. Box 496, 2999 North Wayne Street, Angola, Indiana 46703, USA
Phone (219)665-9521 Fax (219) 665-1339
Website: www.tseq.com E-mail: sales@tseq.com

Hydraulic Elevating Carts

Slide the foot pedal in the pedal bracket located below the frame of the cart on the same end as the handle. Align the bolt hole on the left side and install the bolt and lock washer. At this time tighten the bolt. Lift the handle to the upright position assuring that it latches into position with the handle latch bar located just above the foot pedal. At this time your cart is ready for use.

(CART-750, CART-800-D, CART-1000)

TOOLS REQUIRED: Adjustable wrench, 19mm box end wrench or ratchet and socket, adjustable wrench, and metric allen wrench set

After unpacking cart, locate foot pedal, handle, and bolts. Align holes in bottom of handle with handle mounting brackets and install 19 mm bolts in handle. It is important not to kink the cable on the left side as that will cause the release mechanism to fail. Tighten the two handle bolts using 19 mm wrench. At this time located the foot pedal. This will install on the same end of the cart as the handle. Just below the frame you will find a bracket for this to slip into. Line up the bolt hole, install the bolt and tighten it. At this time your cart is ready to use.

ADJUSTMENTS FOR BRAKE LEVER

STYLE RELEASE: From time to time small adjustments may be necessary to keep your cart performing at its best. To adjust the lowering cable there are two places to perform this adjustment. The first step is to raise the cart top to access the cylinder. Then if a small adjustment is needed, located the bottom of the hydraulic cylinder, and locate the release lever. In the center of this lever there is an adjustment screw and a lock nut. Insert the correct size allen wrench

into screw head and with wrench loosen the jam nut. At this time turn the screw clockwise until the unit starts to lower, then back the screw off 1/2 turn and retighten the lock nut. If a major adjustment is needed then you will need to located the cable retention assembly. This is on the release lever. Once nut is loose the lever should drop down a little bit. You will need to raise the lever to a point just before the cart starts to lower, pull the cable downward to tighten it and tighten the jam nut. After a coarse adjustment a fine tuning adjustment may be necessary.

(CART-1000-LD)

TOOLS REQUIRED: Adjustable wrench, 19mm box end wrench, small regular screwdriver

After unpacking cart, locate handle and foot lever. To install the handle on the cart place the handle on the mounting brackets with the release knob and linkage on the right side. Install bolts in bottom of handle and tighten them. Locate foot pedal and install it in the pedal bracket on the same end of the cart. Line up bolt holes, install and tighten foot pedal bolt. Raise platform by pumping foot pedal. This will allow you to access the linkage you need to hook up the lowering knob. Locate linkage coming from pump. This should be protruding from the back of the frame. Locate the spring tension holes just under the lowering knob and install one end of the spring in this hole. The other end of the spring will go into a hole in the bottom of the release knob. On the lower end of the first linkage there will be a dimple in the shaft. This is for the set screw in the swivel joint to lock into. Turn the lowering knob counterclockwise to put tension on the

spring, until the dimple lines up with the set screw in the swivel joint. At this time tighten the set screw. Now you should be able to lower the deck by turning the lowering knob to the left. Your cart is ready to use at this time.

(CART-1500-D)

TOOLS REQUIRED: Adjustable wrench, 19mm box end wrench or ratchet and socket

After unpacking cart, locate the handle and foot lever. To install the handle, line up bolt holes in handle with bolt holes in handle brackets on frame of cart, and install the bolts. At this time tighten bolts. Now install the foot lever in the bracket just below the frame on the handle end of the cart, line up the bolt holes and install and tighten the bolt. At this time the cart is ready for use.

(CART-2000)

TOOLS REQUIRED: (2) 9/16 in box end wrenches

After unpacking the cart locate the handle and the hardware to install it. Line up the mounting holes on the handle with the holes in the frame and install and tighten the bolts. Your cart is now ready for use.

Operation

The load capacity rating as inscribed on the nameplate of your unit designates the net capacity, assuming the load is centered. This capacity must never be exceeded, as permanent damage or injury may result.

Stay clear of moving parts. The platform will rise as long as the foot control is pumped. Operating the lowering mechanism will lower the table.

In the event the table is overloaded, the relief valve will open because of

Model CART-400, CART-750, CART-800-D, CART-1000, CART-1000-LD, CART-1500-D, CART-2000

excessive pressure build up, and oil will bypass into the reservoir.

1. Always load the unit uniformly.
2. Never use the lift if it is in need of repairs or in the case of a malfunction.
3. Notify your maintenance personnel or supervisor in case you notice anything out of the ordinary, such as binding, odd noises, etc.
4. Operate lowering mechanism slowly.

Foot Pump Operation (CART-2000 only) Figure 3

Your new lift equipment has been supplied with our exclusive 2-speed foot pump. The initial features of your pump includes a primary pressure relief, pressure compensated return flow control valve, and an integrated lowering valve. Replaceable bushings, valve components, and seals have been utilized in the construction of the pump in the event that replacements are necessary.

Stay clear of moving parts. The platform will rise as the foot pedal is pumped. Depressing the lowering valve will lower the table at a controlled rate of descent.

In the event the platform has been overloaded, the pressure relief will open because of excessive pressure buildup in the hydraulic system. Oil will bypass into the reservoir. NEVER change the pressure relief setting. DO NOT exceed the rated capacity of your lift equipment.

SPEED SELECTION FOR TWO-SPEED PUMPS

This pump offers two "speeds". The low speed setting produces low volume/high pressure. The high speed setting produces high volume/low pressure. The operator has the option

of selecting the optimum pump speed for the application at hand. Pump speeds are selected by sliding the "lock collar" (See below) in or out. An occasional drop of oil will keep the collar working freely.

AIR BLEED PROCEDURE

Whether your pump is a new installation, or has been recently serviced, air has likely entered the hydraulic system. The design of this pump includes an "air bleed screw" which will aid in the removal of unwanted air from the foot pump area of hydraulic system. Use the following steps to remove this air from the system.

1. Check all fittings to be sure they are tight. Ensure that the oil is filled to within 1" of the top of the reservoir when the lift is in the fully lowered position.
2. Locate the "air bleed screw" (see figure 3) and loosen approximately 1/2 turn counterclockwise. As soon as you have loosened the screw, slowly depress the foot pedal. This will force the air out of the pump chamber. Before you let the pump

pedal return to the "up" or "home" position, tighten the air bleed screw. This will prevent air from reentering the pump chamber. Repeat the above procedure until the pump chamber is completely filled with oil and a "spongy" feel is no longer present. If the air bleeding procedure has been successful, the feel the of the pump pedal will be firm and the complete stroke of the pump will produce fluid flow.

Maintenance

All bushings and bearings are of the pre-lubricated type and will last for a long period of time without additional lubrication. To increase bearing life, it is recommended that a few drops of light machine oil be applied at each pivot point every 6 to 12 months.

DAILY

Visually check and do not use if any of the following are visible:

1. Oil Leaks.
2. Structural deformation of legs or frame.
3. Unusual noise or binding
4. Check casters for proper operation.

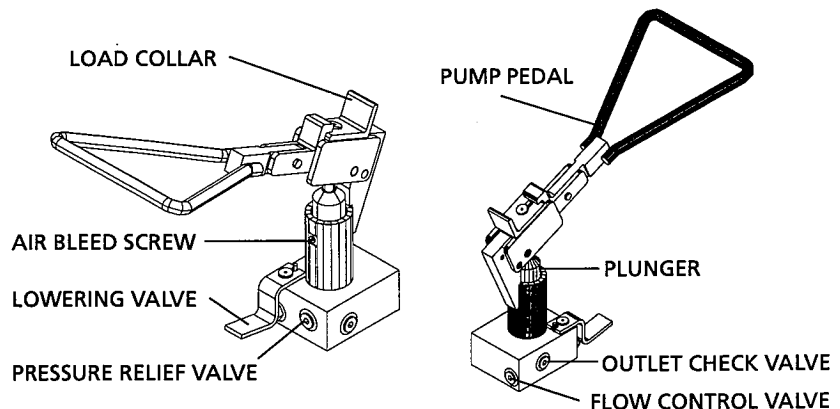


Figure 3 - Foot Pump Operation

Hydraulic Elevating Carts

MONTHLY

1. Check for oil leaks.
2. Check clevis and pivot points for wear.
3. Check rollers for looseness and wear.
4. Check for unusual noise.
5. Make sure all warning labels are in place and in good condition.
6. Clean off dirt and debris.

YEARLY

Hydraulic oil should be changed at least once a year, or sooner if the oil darkens or becomes gritty. Flush reservoir before refilling. Presence of water is indicated if the oil turns milky. Recommended oil: AW-32 hydraulic fluid or equal.

All maintenance work must be performed by qualified personnel with training in the repair of electrical and hydraulic components.

NOTE: If hydraulic oil is milky white in color, water is in the hydraulic system. Change the hydraulic oil immediately.

TO FILL UNIT WITH OIL

1. Raise the platform and block the leg assembly in the fully raised position.
2. Remove the upper cylinder pin.

3. Loosen the set screw in the lowering rod linkage.
4. Release the lowering valve.
5. Collapse the cylinder rod back inside the cylinder.
6. Remove the oil fill plug.
7. With the cylinder horizontal, fill with AW-32 grade hydraulic oil (or equivalent).
8. Reinstall the fill plug, and then reinstall the cylinder.

TO BLEED SYSTEM

1. Ensure platform is in lowered position.
2. Operate the lowering mechanism and pump the foot control several times slowly.

TO FILL WITH OIL LOW OIL CONDITION

1. Raise the unit as far as it will go.
2. Remove the oil fill plug.
3. Add oil 1 oz. at a time.
4. Pump the foot control.
5. Repeat steps 3 and 4 until the unit's maximum height is achieved.
6. Once the maximum height is reached, add 1 oz. of oil and reinstall the fill plug.

IF CART LEAKS DOWN

1. Completely lower the platform. By hand, grasp the deck at the hinge end of the leg assembly. Raise the deck as high as possible, then carefully, while standing aside, allow the assembly to drop. This procedure draws oil through the load holding check valve and "washes" debris (if present) from the ball and seat of the device. It may be necessary to repeat this procedure a couple of times to remove all debris from the check valve thus, eliminating table drift.
2. Check the oil level in the pump assembly. The oil should be level with the bottom of the hole with the scissor legs in the lowered position. (Deck tilts up).

NOTE: If these steps fail to return the unit to service, contact supplier for further instructions.

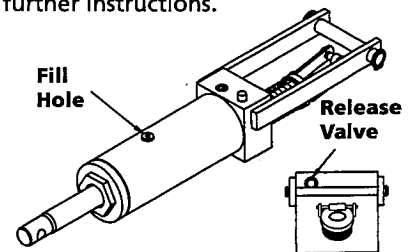


Figure 2 - How to Add Oil

For Replacement Parts, call 1-800-348-0860

Please provide following information:

- Model Number
- Serial Number
- Part description and number as shown in parts list

Address Correspondence to:

T&S Equipment Company
 P.O. Box 496
 2999 North Wayne Street
 Angola, In 46703 USA

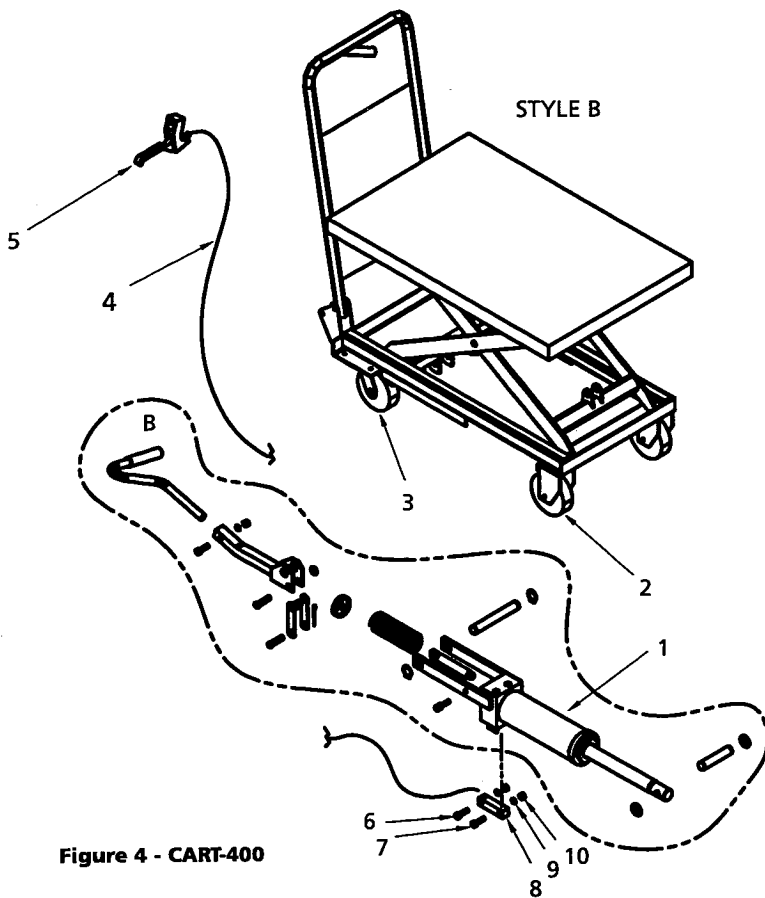


Figure 4 - CART-400

Replacement Parts List for Hydraulic Elevating Cart - CART-400

Reference Number	Description	Engineer Number	Part Number	Quantity
1	Pump Assembly	01-640-013	CRT-400-1-A	1
1	Pump Assembly	01-640-040	CRT-400-1-B	1
2	Rigid Caster	16-132-003	CRT-400-2-B	2
3	Swivel Caster	16-132-004	CRT-400-3	2
4	Release Cable	01-031-007	CRT-400-4-B	1
5	Lowering Release Grip	01-025-006	CRT-400-5-B	1
6	Retaining Bolt	01-145-014	CRT-400-6-B	1
7	Bolt	N/A	N/A	1
8	Lowering Release Bracket	01-640-016	CRT-400-8-B	1
9	Washer	N/A	N/A	2
10	Nut	N/A	N/A	2
A	Linkage Kit	01-154-009	CRT-400-KIT-A	1
B	Foot Pump Kit (excludes #1)	01-154-010	CRT-400-KIT-B-A	1
B	Foot Pump Kit (excludes #1)	01-154-031	CRT-400-KIT-B-B	1
C	Seal Kit	01-136-440	CRT-400-KIT-C-A	1
C	Seal Kit	01-136-445	CRT-400-KIT-C-B	1

For Replacement Parts, call 1-800-348-0860

Please provide following information:

- Model Number
- Serial Number
- Part description and number as shown in parts list

Address Correspondence to:

T&S Equipment Company
 P.O. Box 496
 2999 North Wayne Street
 Angola, In 46703 USA

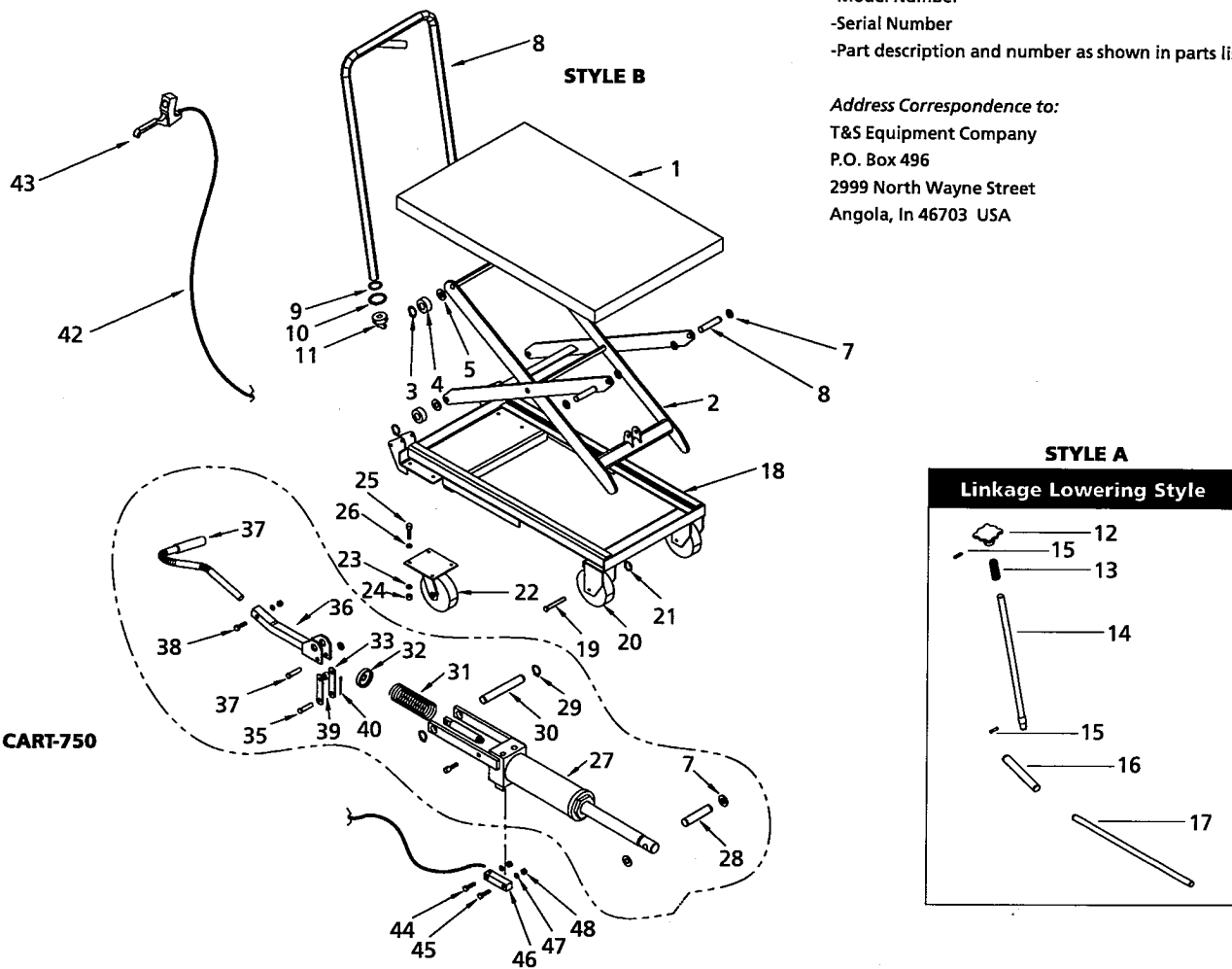


Figure 6 - CART-750

Replacement Parts List for Hydraulic Elevating Cart - CART-750

Kit Number	Reference Number	Description	Engineer Number	Part Number	Quantity
	1	Deck	n/a	C7501-2	1
	2	Leg Assembly	n/a	C7502-2	1
	3	Retaining Ring	n/a	C7503-2	4
	4	Roller	n/a	C7504-2	4
	5	Washer	n/a	C7505-2	4
	6	Axle Pin	n/a	C7506-2	4
	7	Retaining Ring	n/a	C7507-2	8
B	8	Handle	a/k	C7508-2-B	1
B	8	Handle	a/k	C7508-2-A	1
B	9	Lock Washer	a/k	C7509-2	2
B	10	Washer	a/k	C7510-2	2
B	11	Screw	a/k	C7511-2	2

Replacement Parts List for Hydraulic Elevating Cart - CART-750 Continued

Kit Number	Reference Number	Description	Engineer Number	Part Number	Quantity
E	12	Adjustable Knob	01-025-003	C7512-2	1
E	13	Spring	01-146-009	C7513-2	1
E	14	Free Joint (A)	01-640-003	C7514-2	1
E	15	Set Screw	a/k	C7515-2	2
E	16	Free Joint (B)	01-640-010	C7516-2	1
E	17	Free Joint (C)	01-640-011	C7517-2	1
	18	Base Frame	n/a	C7518-2	1
C	19	Wheel Shaft	a/k	C7519-2	2
C	20	Wheel	16-132-801	C7520-2	2
C	21	Lock Pin	a/k	C7521-2	2
C	22	Caster	16-132-802	C7522-2	2
C	23	Lock Washer	a/k	C7523-2	8
C	24	Nut	a/k	C7524-2	8
C	25	Screw	a/k	C7525-2	8
C	26	Washer	a/k	C7526-2	8
	27	Pump Assembly	01-640-035	C7527-2-B	1
	27	Pump Assembly	01-640-008	C7527-2-A	1
D	28	Upper Cylinder Pin	01-112-022	C7528-2	1
D	29	Retaining Ring	a/k	C7529-2	2
D	30	Lower Cylinder Pin	01-112-023	C7530-2	1
D	31	Spring	a/k	C7531-2	1
D	32	Cover	a/k	C7532-2	1
D	33	Slide Lever	a/k	C7533-2	2
D	34	Lock Pin	a/k	C7534-2	1
D	35	Lock Pin	a/k	C7535-2	1
D	36	Link Pedal	01-140-015	C7536-2-B	1
D	36	Link Pedal	01-140-011	C7537-2-A	1
D	37	Foot Pedal	01-140-010	C7537-2	1
D	38	Screw	a/k	C7538-2	1
D	39	Spacer	a/k	C7539-2	1
D	40	Cotter Key	a/k	C7540-2	2
	42	Release Cable	01-031-007	C7542-2	1
	43	Lowering Release Grip	01-025-006	C7543-2	1
	44	Retaining Bolt	01-145-014	C7544-2	1
	45	Bolt	n/a	C7545-2	1
	46	Lowering Release Bracket	01-640-016	C7546-2	1
	47	Washer	n/a	C7547-2	2
	48	Nut	n/a	C7548-2	2
A		Seal Kit	01-136-444	C750-KITA-B	1
A		Seal Kit	01-136-410	C750-KITA-A	1
B		Handle Kit	01-154-029	C750-KITB-B	1
B		Handle Kit (includes 8-11)	01-154-015	C750-KITB-A	1
C		Wheel Kit (includes 19-26)	01-154-013	C750-KITC	1
D		Pump Kit	01-154-030	C750-KITD-B	1
D		Pump Kit (includes 28-40)	01-154-012	C750-KITD-A	1
E		Lowering Rod Kit (includes 12-17)	01-154-016	C750-KITE	1

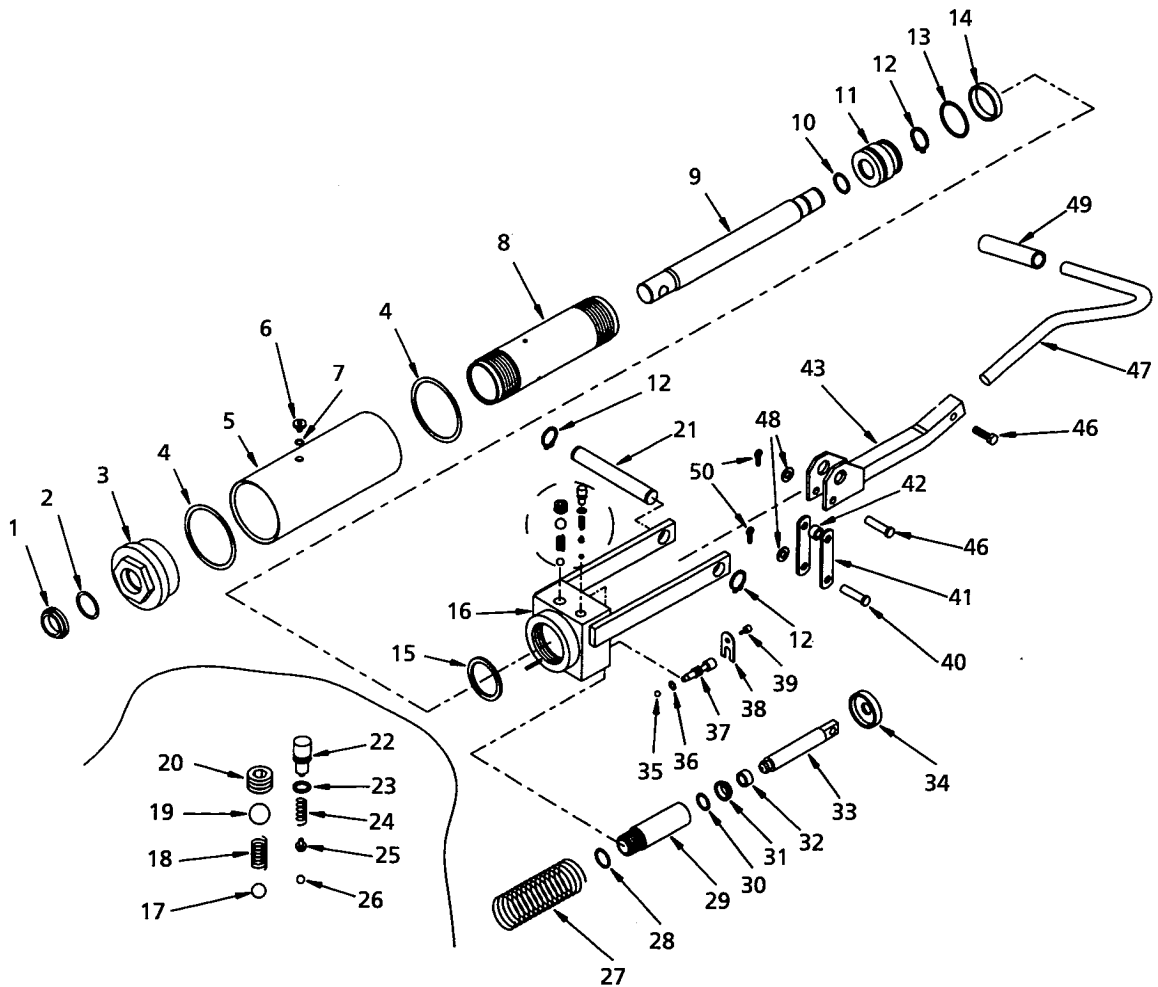
For Replacement Parts, call 1-800-348-0860

Please provide following information:

- Model Number
- Serial Number
- Part description and number as shown in parts list

Address Correspondence to:

T&S Equipment Company
 P.O. Box 496
 2999 North Wayne Street
 Angola, In 46703 USA



**Figure 7 - CART-750 Foot Pump Assembly
 Lowering Knob Style**

Replacement Parts List for Hydraulic Elevating Cart - CART-750

Kit Number	Reference Number	Description	Engineer Number	Part Number	Quantity
A,E	1	Wiper	a/k	a/k	1
A,E	2	Backup Ring	a/k	a/k	1
E	3	Top Nut	n/a	n/a	-
A,E	4	Seal Ring	a/k	a/k	2
E	5	Housing	n/a	n/a	-
E	6	Fill Plug	n/a	n/a	-
A,E	7	O-Ring	a/k	a/k	1
E	8	Cylinder Barrel	n/a	n/a	-
E	9	Lift Cylinder Rod	n/a	n/a	-
A,E	10	O-Ring	a/k	a/k	1
E	11	Lift Piston	n/a	n/a	-
B	12	Snap Ring	a/k	a/k	2
A,E	13	Backup Ring	a/k	a/k	1
A,E	14	U-Cup Piston Seal	a/k	a/k	1
A,E	15	Lower Barrel Seal	a/k	a/k	1
E	16	Pump Housing	n/a	n/a	-
E	17	Steel Ball	n/a	n/a	-
E	18	Spring	n/a	n/a	-
E	19	Steel Ball	n/a	n/a	-
E	20	Plug	n/a	n/a	-
B	21	Lower Cylinder Pin	a/k	a/k	1
E	22	Machined Plug	n/a	n/a	-
A,E	23	Seal	a/k	a/k	1
E	24	Spring	n/a	n/a	-
E	25	Plunger	n/a	n/a	-
E	26	Steel Ball	n/a	n/a	-
C	27	Spring	a/k	a/k	1
A,E	28	O-Ring	a/k	a/k	1
E	29	Pump Piston Housing	n/a	n/a	-
A,E	30	O-Ring	a/k	a/k	1
A,E	31	Wiper	a/k	a/k	1
A,E	32	Pump Piston U-Cup	a/k	a/k	1
E	33	Pump Piston	n/a	n/a	-
C	34	Spring Cap	a/k	a/k	1
E	35	Steel Ball	n/a	n/a	-
A,E	36	O-Ring	a/k	a/k	1
E	37	Release Valve	n/a	n/a	-
E	38	Valve Retainer	n/a	n/a	-
E	39	Screw	n/a	n/a	-
B	40	Lock Pin	a/k	a/k	1
B	41	Slide Lever	a/k	a/k	2
B	42	Spacer	a/k	a/k	1
D	43	Foot Pedal Linkage	a/k	a/k	1
D	46	Bolt	a/k	a/k	1
D	47	Foot Pedal	a/k	a/k	1
B	48	Washer	a/k	a/k	2
D	49	Foot Pedal Cover	a/k	a/k	1
B	50	Cotter Pin	a/k	a/k	2
	A	Seal Kit	01-135-410	CRT750-KITA	1
	B	Cylinder Mount Hdwr.	01-154-017	CRT750-KITB	1
	C	Spring Kit	01-154-018	CRT750-KITC	1
	D	Foot Pedal Kit	01-154-010	CRT750-KITD	1
	E	Cylinder	01-640-008	CRT750-KITE	1

For Replacement Parts, call 1-800-348-0860

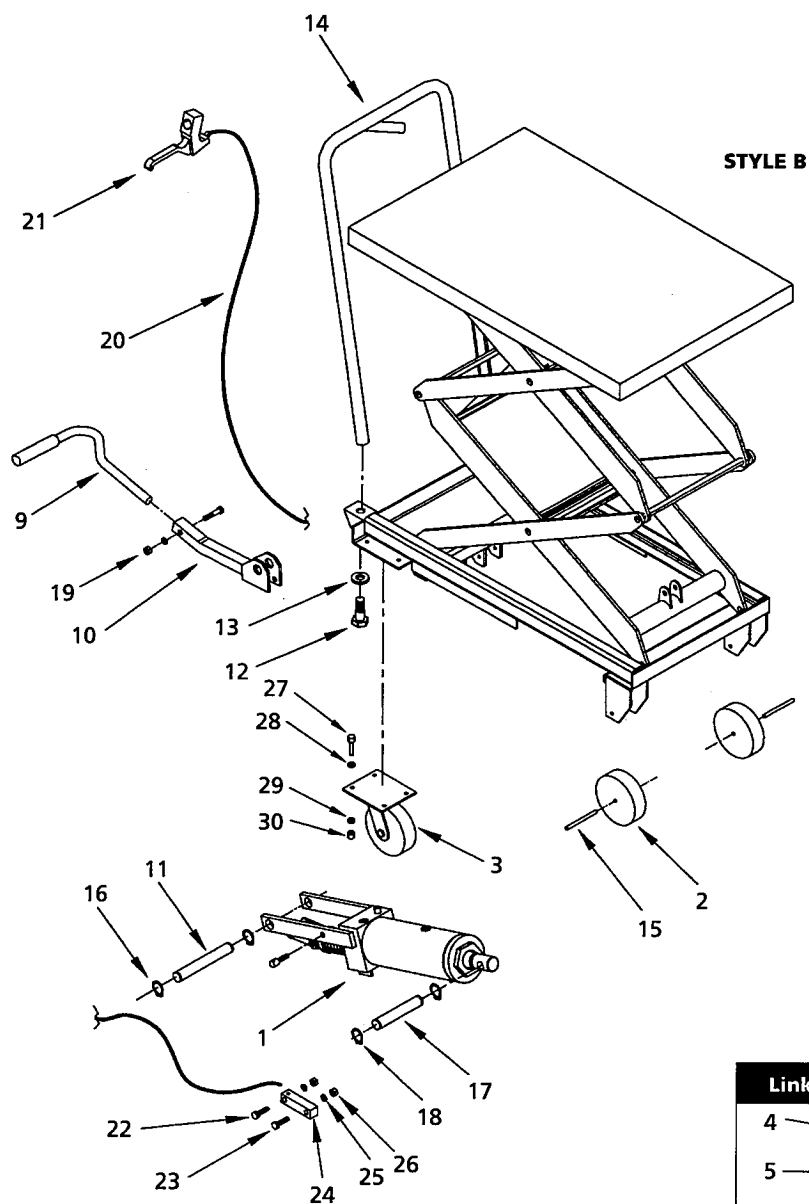


Figure 5 - CART-800-D

Please provide following information:

- Model Number
- Serial Number
- Part description and number as shown in parts list

Address Correspondence to:

T&S Equipment Company
P.O. Box 496
2999 North Wayne Street
Angola, In 46703 USA

Replacement Parts List for Hydraulic Elevating Cart - CART-800-D

Kit Number	Reference Number	Description	Engineer Number	Part Number	Quantity
	1	Pump Assembly	04-640-008	CRT-800-1-A	1
	1	Pump Assembly	01-640-033	CRT-800-1-B	1
D	2	Rigid Caster	16-132-801	CRT-800-2	2
C	3	Swivel Caster	16-132-802	CRT-800-3	2
A	4	Lowering Knob	01-025-005	CRT-800-4	1
D	5	Spring	01-146-009	CRT-800-5	1
A	6	Linkage A	01-640-009	CRT-800-6	1
A	7	Linkage B	01-640-010	CRT-800-7	1
A	8	Linkage C	01-640-011	CRT-800-8	1
	9	Foot Pedal	01-140-010	CRT-800-9	1
C	10	Foot Pedal Linkage	01-640-034	CRT-800-10-B	1
C	10	Foot Pedal Linkage	01-640-011	CRT-800-10-A	1
C	11	Lower Cylinder Pin	01-112-021	CRT-800-11	1
B	12	Bolt	a/k	a/k	2
B	13	Washer	a/k	a/k	2
B	14	Handle	01-025-007	CRT-800-14-B	1
B	14	Handle	01-025-003	CRT-800-14-A	1
D	15	Axle Pin	01-112-022	CRT-800-15	2
C	16	Retaining Clips	a/k	a/k	2
C	17	Upper Cylinder Pin	01-112-023	CRT-800-17	1
A,C	18	Retaining Ring	a/k	a/k	2
C	19	Bolt, Nut and Lock Washer	a/k	a/k	1
	20	Release Cable	01-031-007	CRT-800-20	1
	21	Lowering Release Grip	01-025-006	CRT-800-21	1
	22	Retaining Bolt	01-145-014	CRT-800-22	1
	23	Bolt	n/a	n/a	1
	24	Lowering Release Bracket	01-640-016	CRT-800-24	1
	25	Washer	n/a	n/a	2
	26	Nut	n/a	n/a	2
	27	Bolt 5/16-18 x 1	n/a	n/a	8
	28	Washer 5/16 Flat	n/a	n/a	8
	29	Washer 5/16 Lock	n/a	n/a	8
	30	Nut 5/16-18	n/a	n/a	8
A		Linkage Kit (includes 4-8)	01-154-008	CRT-800-KIT-A	1
B		Handle Kit (includes 12-14)	01-154-011	CRT-800-KIT-B	1
C		Foot Pump Kit (includes 10, 11, 16-18)	01-154-012	CRT-800-KIT-C	1
D		Caster Kit (includes 2, 3, 15)	01-154-013	CRT-800-KIT-D	1
E		Seal Kit	01-136-410	CRT-800-KIT-E	1

For Replacement Parts, call 1-800-348-0860

Please provide following information:

- Model Number
- Serial Number
- Part description and number as shown in parts list

Address Correspondence to:

T&S Equipment Company
 P.O. Box 496
 2999 North Wayne Street
 Angola, In 46703 USA

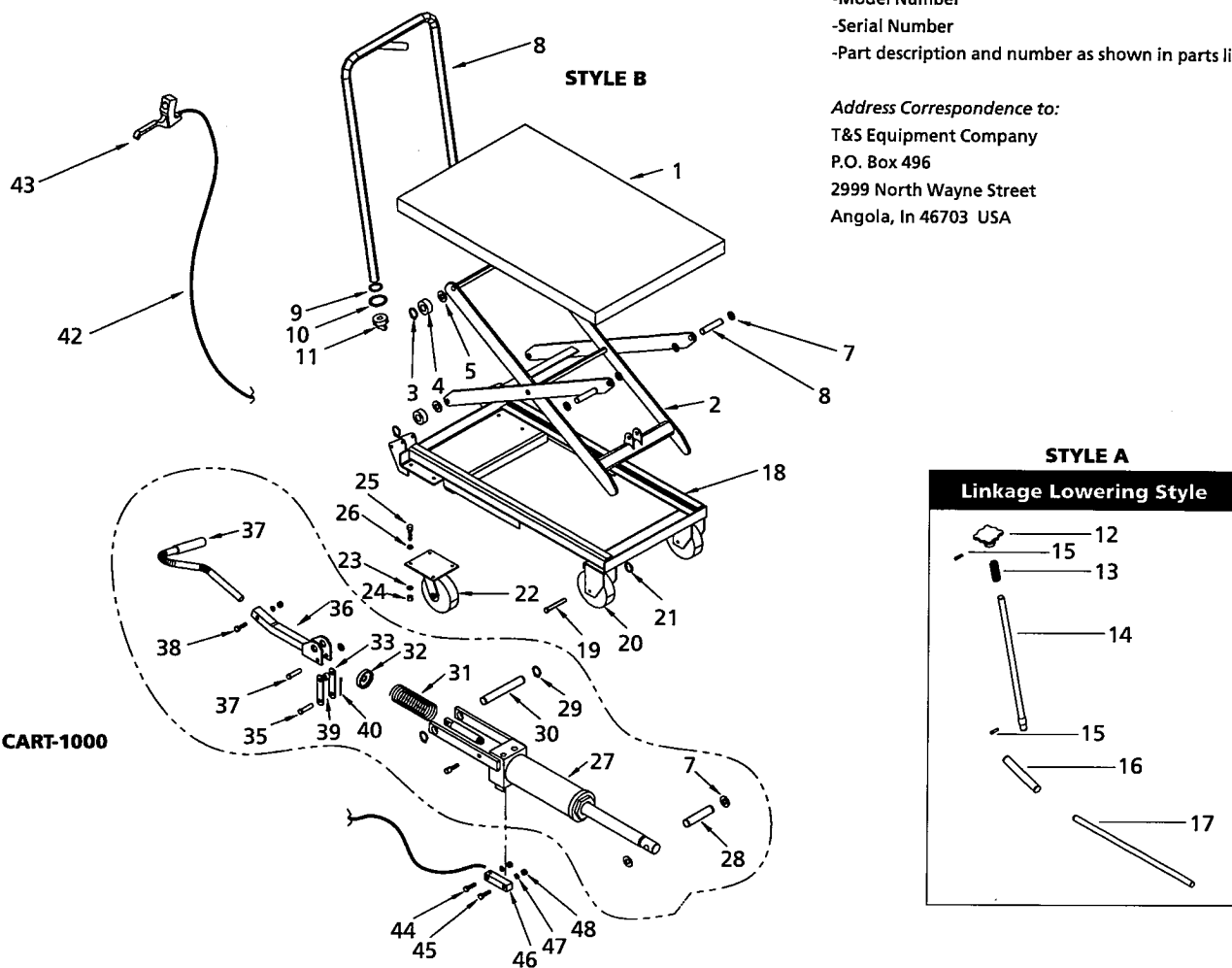


Figure 6 - CART-1000

Replacement Parts List for Hydraulic Elevating Cart - CART-1000

Kit Number	Reference Number	Description	Engineer Number	Part Number	Quantity
	1	Deck	n/a	C1001-2	1
	2	Leg Assembly	n/a	C1002-2	1
	3	Retaining Ring	n/a	C1003-2	4
	4	Roller	n/a	C1004-2	4
	5	Washer	n/a	C1005-2	4
	6	Axle Pin	n/a	C1006-2	4
	7	Retaining Ring	n/a	C1007-2	8
B	8	Handle	a/k	C1008-2-B	1
B	8	Handle	a/k	C1008-2-A	1
B	9	Lock Washer	a/k	C1009-2	2
B	10	Washer	a/k	C1010-2	2
B	11	Screw	a/k	C1011-2	2

Replacement Parts List for Hydraulic Elevating Cart - CART-1000 Continued

Kit Number	Reference Number	Description	Engineer Number	Part Number	Quantity
E	12	Adjustable Knob	01-025-003	C1012-2	1
E	13	Spring	01-146-009	C1013-2	1
E	14	Free Joint (A)	01-640-003	C1014-2	1
E	15	Set Screw	a/k	C1015-2	2
E	16	Free Joint (B)	01-640-010	C1016-2	1
E	17	Free Joint (C)	01-640-011	C1017-2	1
	18	Base Frame	n/a	C1018-2	1
C	19	Wheel Shaft	a/k	C1019-2	2
C	20	Wheel	16-132-801	C1020-2	2
C	21	Lock Pin	a/k	C1021-2	2
C	22	Caster	16-132-802	C1022-2	2
C	23	Lock Washer	a/k	C1023-2	8
C	24	Nut	a/k	C1024-2	8
C	25	Screw	a/k	C1025-2	8
C	26	Washer	a/k	C1026-2	8
	27	Pump Assembly	01-640-035	C1027-2-B	1
	27	Pump Assembly	01-640-008	C1027-2-A	1
D	28	Upper Cylinder Pin	01-112-022	C1028-2	1
D	29	Retaining Ring	a/k	C1029-2	2
D	30	Lower Cylinder Pin	01-112-023	C1030-2	1
D	31	Spring	a/k	C1031-2	1
D	32	Cover	a/k	C1032-2	1
D	33	Slide Lever	a/k	C1033-2	2
D	34	Lock Pin	a/k	C1034-2	1
D	35	Lock Pin	a/k	C1035-2	1
D	36	Link Pedal	01-140-015	C1036-2-B	1
D	36	Link Pedal	01-140-011	C1037-2-A	1
D	37	Foot Pedal	01-140-010	C1037-2	1
D	38	Screw	a/k	C1038-2	1
D	39	Spacer	a/k	C1039-2	1
D	40	Cotter Key	a/k	C1040-2	2
	42	Release Cable	01-031-007	C1042-2	1
	43	Lowering Release Grip	01-025-006	C1043-2	1
	44	Retaining Bolt	01-145-014	C1044-2	1
	45	Bolt	n/a	C1045-2	1
	46	Lowering Release Bracket	01-640-016	C1046-2	1
	47	Washer	n/a	C1047-2	2
	48	Nut	n/a	C1048-2	2
A		Seal Kit	01-136-444	C1000-KITA-B	1
A		Seal Kit	01-136-410	C1000-KITA-A	1
B		Handle Kit	01-154-029	C1000-KITB-B	1
B		Handle Kit (includes 8-11)	01-154-015	C1000-KITB-A	1
C		Wheel Kit (includes 19-26)	01-154-013	C1000-KITC	1
D		Pump Kit	01-154-030	C1000-KITD-B	1
D		Pump Kit (includes 28-40)	01-154-012	C1000-KITD-A	1
E		Lowering Rod Kit (includes 12-17)	01-154-016	C1000-KITE	1

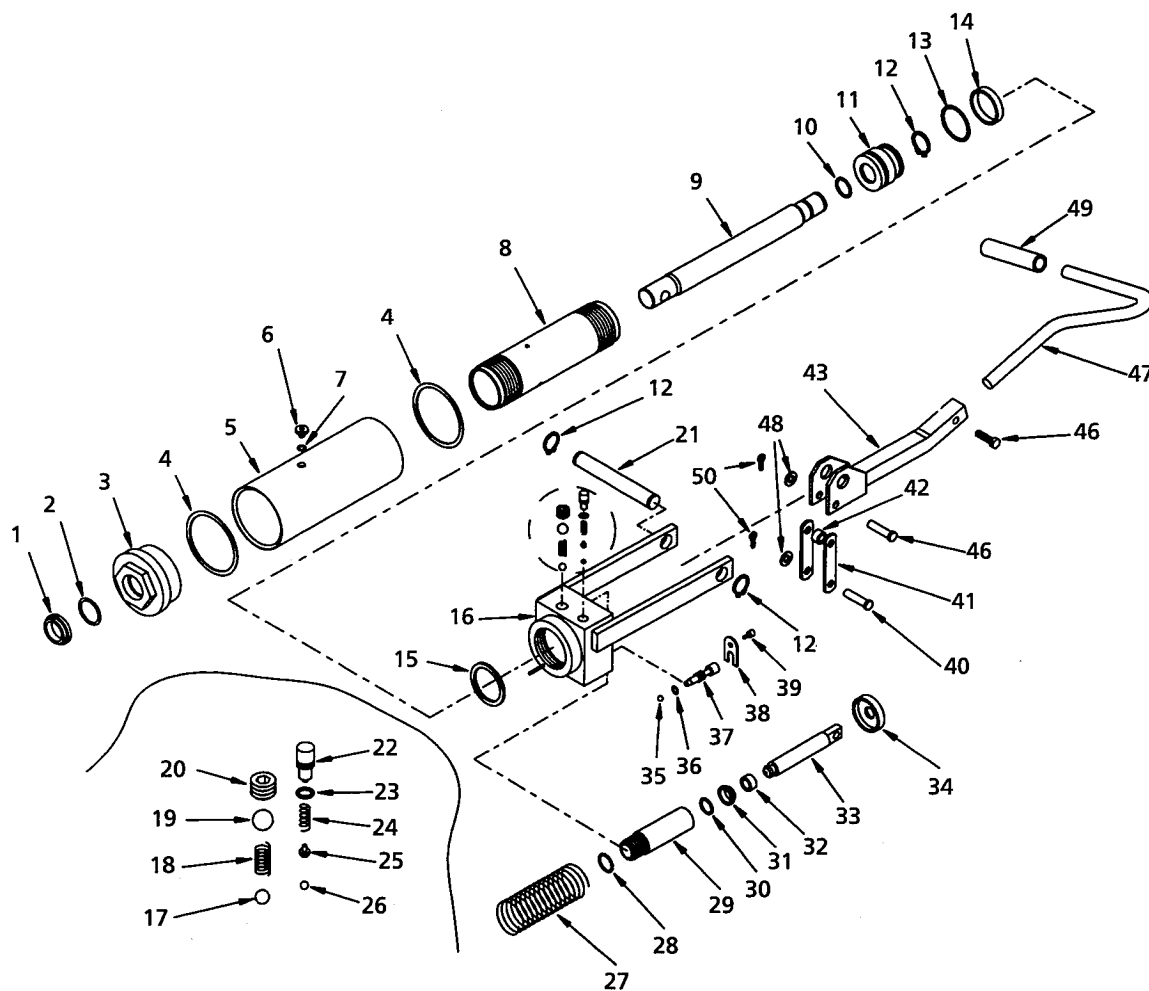
For Replacement Parts, call 1-800-348-0860

Please provide following information:

- Model Number
- Serial Number
- Part description and number as shown in parts list

Address Correspondence to:

T&S Equipment Company
 P.O. Box 496
 2999 North Wayne Street
 Angola, In 46703 USA



**Figure 7 - CART-1000 Foot Pump Assembly
 Lowering Knob Style**

Replacement Parts List for Hydraulic Elevating Cart - CART-1000

Kit Number	Reference Number	Description	Engineer Number	Part Number	Quantity
A,E	1	Wiper	a/k	a/k	1
A,E	2	Backup Ring	a/k	a/k	1
E	3	Top Nut	n/a	n/a	-
A,E	4	Seal Ring	a/k	a/k	2
E	5	Housing	n/a	n/a	-
E	6	Fill Plug	n/a	n/a	-
A,E	7	O-Ring	a/k	a/k	1
E	8	Cylinder Barrel	n/a	n/a	-
E	9	Lift Cylinder Rod	n/a	n/a	-
A,E	10	O-Ring	a/k	a/k	1
E	11	Lift Piston	n/a	n/a	-
B	12	Snap Ring	a/k	a/k	2
A,E	13	Backup Ring	a/k	a/k	1
A,E	14	U-Cup Piston Seal	a/k	a/k	1
A,E	15	Lower Barrel Seal	a/k	a/k	1
E	16	Pump Housing	n/a	n/a	-
E	17	Steel Ball	n/a	n/a	-
E	18	Spring	n/a	n/a	-
E	19	Steel Ball	n/a	n/a	-
E	20	Plug	n/a	n/a	-
B	21	Lower Cylinder Pin	a/k	a/k	1
E	22	Machined Plug	n/a	n/a	-
A,E	23	Seal	a/k	a/k	1
E	24	Spring	n/a	n/a	-
E	25	Plunger	n/a	n/a	-
E	26	Steel Ball	n/a	n/a	-
C	27	Spring	a/k	a/k	1
A,E	28	O-Ring	a/k	a/k	1
E	29	Pump Piston Housing	n/a	n/a	-
A,E	30	O-Ring	a/k	a/k	1
A,E	31	Wiper	a/k	a/k	1
A,E	32	Pump Piston U-Cup	a/k	a/k	1
E	33	Pump Piston	n/a	n/a	-
C	34	Spring Cap	a/k	a/k	1
E	35	Steel Ball	n/a	n/a	-
A,E	36	O-Ring	a/k	a/k	1
E	37	Release Valve	n/a	n/a	-
E	38	Valve Retainer	n/a	n/a	-
E	39	Screw	n/a	n/a	-
B	40	Lock Pin	a/k	a/k	1
B	41	Slide Lever	a/k	a/k	2
B	42	Spacer	a/k	a/k	1
D	43	Foot Pedal Linkage	a/k	a/k	1
D	46	Bolt	a/k	a/k	1
D	47	Foot Pedal	a/k	a/k	1
B	48	Washer	a/k	a/k	2
D	49	Foot Pedal Cover	a/k	a/k	1
B	50	Cotter Pin	a/k	a/k	2
	A	Seal Kit	01-135-410	CRT1000-KITA	1
	B	Cylinder Mount Hdwr.	01-154-017	CRT1000-KITB	1
	C	Spring Kit	01-154-018	CRT1000-KITC	1
	D	Foot Pedal Kit	01-154-010	CRT1000-KITD	1
	E	Cylinder	01-640-008	CRT1000-KITE	1

For Replacement Parts, call 1-800-348-0860

Please provide following information:

- Model Number
- Serial Number
- Part description and number as shown in parts list

Address Correspondence to:

T&S Equipment Company
P.O. Box 496
2999 North Wayne Street
Angola, In 46703 USA

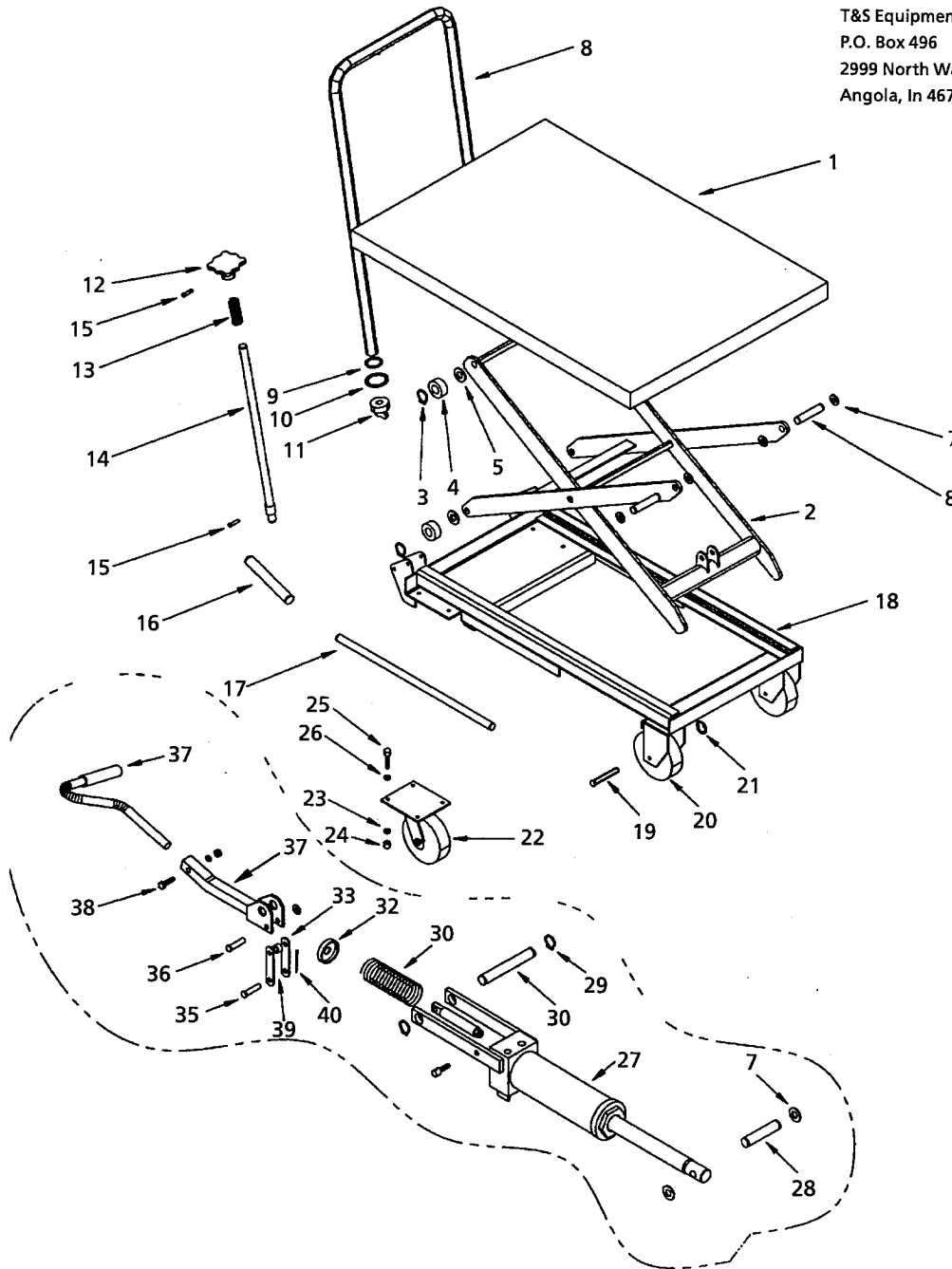


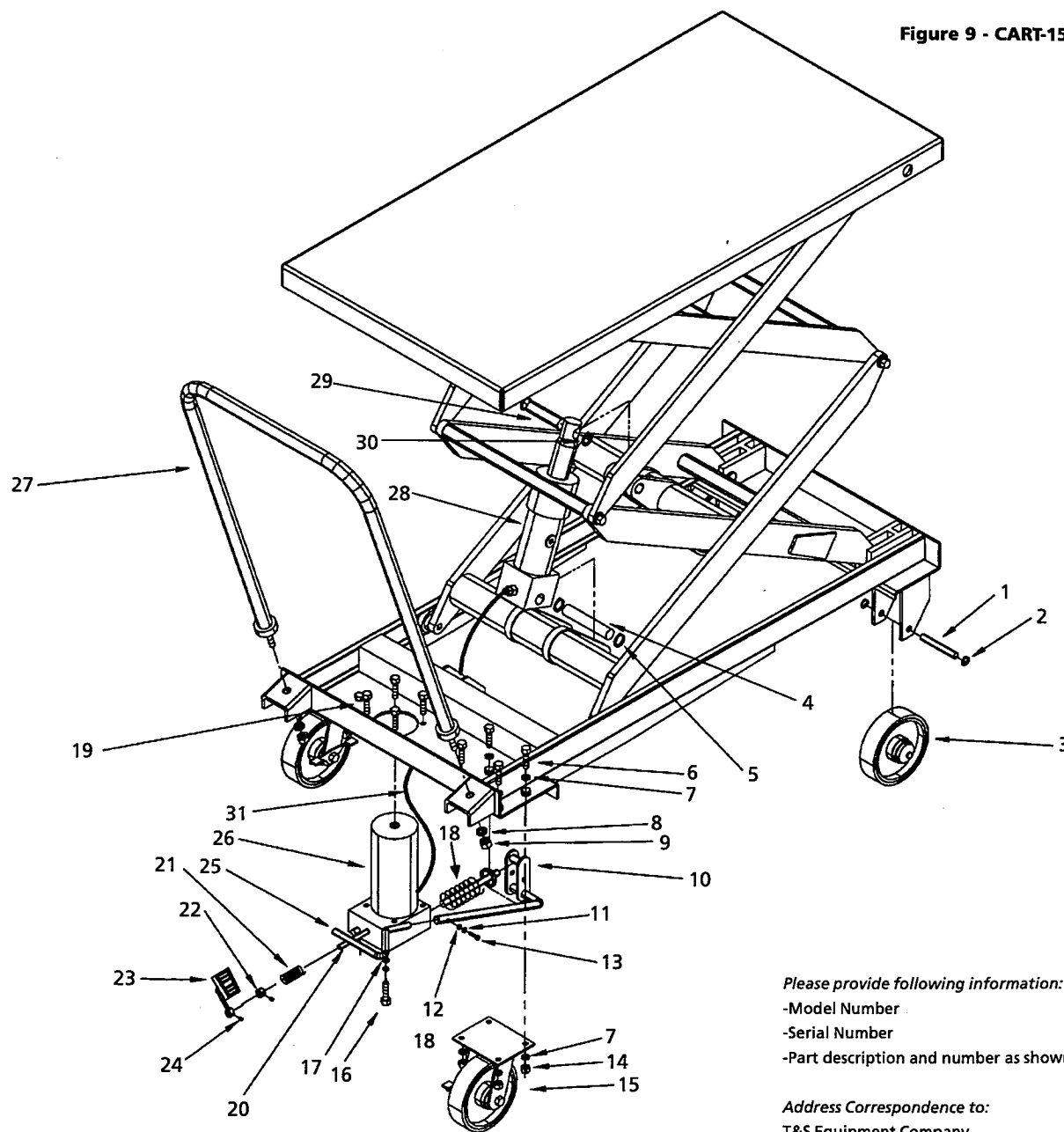
Figure 8 - CART-1000-LD

Replacement Parts List for Hydraulic Elevating Cart - CART-1000-LD

Kit Number	Reference Number	Description	Engineer Number	Part Number	Quantity
	1	Deck	n/a	CLD1001-2	1
B	2	Leg Assembly	n/a	CLD1002-2	1
B	3	Retaining Ring	n/a	CLD1003-2	4
B	4	Roller	n/a	CLD1004-2	4
B	5	Washer	n/a	CLD1005-2	4
E	6	Axle Pin	n/a	CLD1006-2	4
E	7	Retaining Ring	n/a	CLD1007-2	8
E	8	Handle	a/k	CLD1008-2	1
E	9	Lock Washer	a/k	CLD1009-2	2
E	10	Washer	a/k	CLD1010-2	2
E	11	Screw	a/k	CLD1011-2	2
	12	Adjustable Knob	01-025-003	CLD1012-2	1
C	13	Spring	01-146-009	CLD1013-2	1
C	14	Free Joint (A)	01-640-036	CLD1014-2	1
C	15	Set Screw	a/k	CLD1015-2	2
C	16	Free Joint (B)	01-640-037	CLD1016-2	1
C	17	Free Joint (C)	01-640-038	CLD1017-2	1
C	18	Base Frame	n/a	CLD1018-2	1
C	19	Wheel Shaft	a/k	CLD1019-2	2
C	20	Wheel	16-132-810	CLD1020-2	2
	21	Lock Pin	a/k	CLD1021-2	2
D	22	Caster	16-132-809	CLD1022-2	2
D	23	Lock Washer	a/k	CLD1023-2	8
D	24	Nut	a/k	CLD1024-2	8
D	25	Screw	a/k	CLD1025-2	8
D	26	Washer	a/k	CLD1026-2	8
D	27	Pump Assembly	01-640-026	CLD1027-2	1
D	28	Upper Cylinder Pin	01-112-025	CLD1028-2	1
D	29	Retaining Ring	a/k	CLD1029-2	2
D	30	Lower Cylinder Pin	01-112-024	CLD1030-2	1
D	31	Spring	a/k	CLD1031-2	1
D	32	Cover	a/k	CLD1032-2	1
D	33	Slide Lever	a/k	CLD1033-2	2
D	34	Lock Pin	a/k	CLD1034-2	1
	35	Lock Pin	a/k	CLD1035-2	1
	36	Link Pedal	01-140-014	CLD1036-2	1
	37	Foot Pedal	01-140-013	CLD1037-2	1
	38	Screw	a/k	CLD1038-2	1
	39	Spacer	a/k	CLD1039-2	1
	40	Cotter Key	a/k	CLD1040-2	2
A		Seal Kit	01-136-443	CLD1000-KITA	1
B		Handle Kit (includes 8-11)	01-154-024	CLD1000-KITB	1
C		Wheel Kit (includes 19-26)	01-154-525	CLD1000-KITC	1
D		Pump Kit (includes 28-40)	01-154-026	CLD1000-KITD	1
E		Lowering Rod Kit (includes 12-17)	01-154-027	CLD1000-KITE	1

For Replacement Parts, call 1-800-348-0860

Figure 9 - CART-1500-D



Please provide following information:
 -Model Number
 -Serial Number
 -Part description and number as shown in parts list

Address Correspondence to:
 T&S Equipment Company
 P.O. Box 496
 2999 North Wayne Street
 Angola, In 46703 USA

Replacement Parts List for Hydraulic Elevating Cart - CART-1500-D

Kit Number	Reference Number	Description	Engineer Number	Part Number	Quantity
B	1	Pin, Front Caster	a/k	C1500D-1	2
B	2	Retaining Ring, Front Caster	a/k	C1500D-2	4
B	3	Caster, Front Wheel	16-132-807	C1500D-3	2
C	4	Pin, Bottom Cylinder	-	C1500D-4	1
C	5	Retaining Ring, Bottom Cylinder	-	C1500D-5	2
B	6	Bolt, Rear Caster	a/k	C1500D-6	8
B	7	Washer, Rear Caster	a/k	C1500D-7	8
A	8	Washer, Handle	a/k	C1500D-8	2
A	9	Bolt, Handle	a/k	C1500D-9	2
D	10	Pump Actuation Assembly	a/k	C1500D-10	1
D	11	Washer	a/k	C1500D-11	1
D	12	Washer	a/k	C1500D-12	1
D	13	Screw	a/k	C1500D-13	1
B	14	Nut, Rear Caster	a/k	C1500D-14	8
B	15	Caster Rear with Brake	16-132-808	C1500D-15	2
D	16	Bolt Bottom Front Pump	a/k	C1500D-16	4
D	17	Washer, Foot Pump	a/k	C1500D-17	4
D	18	Pump Sprint & Shaft Assembly	a/k	C1500D-18	1
D	19	Bolt, Top Foot Pump	a/k	C1500D-19	4
D	20	Shaft, Foot Pump	a/k	C1500D-20	1
D	21	Spring, Foot Pump Release	a/k	C1500D-21	1
D	22	Colar, Foot Pump Release	a/k	C1500D-22	1
D	23	Pedal, Foot Pumping Release	a/k	C1500D-23	1
D	24	Colar Set Screw, Foot Pump Release	a/k	C1500D-24	2
D	25	Pedal, Foot Pump	a/k	C1500D-25	1
D	26	Foot Pump	a/k	C1500D-26	1
A	27	Handle	a/k	C1500D-27	1
C	28	Cylinder	01-021-032	C1500D-28	1
C	29	Pin, Top Cylinder Mount	a/k	C1500D-29	1
C	30	Retaining Ring Top Cylinder Pin	a/k	C1500D-30	2
	31	Hose High Pressure Assembly (includes fittings)	01-623-008	C1500D-31	1
A		Handle Kit (includes 8, 9, 27)	01-154-021	C1500D-A	1
B		Caster Kit (includes 1-3, 6, 7, 14, 15)	01-154-022	C1500D-B	1
C		Cylinder Kit (includes 4, 5, 28, 29, 30)	01-154-028	C1500D-C	1
D		Pump Assembly (includes 10-13, 16-26)	01-140-012	C1500D-D	1
E		Seal Kit, Cylinder (not shown)	01-136-441	C1500D-E	1
F		Seal Kit, Foot Pump (not shown)	01-136-442	C1500D-F	1

For Replacement Parts, call 1-800-348-0860

Please provide following information:

- Model Number
- Serial Number
- Part description and number as shown in parts list

Address Correspondence to:

T&S Equipment Company
P.O. Box 496
2999 North Wayne Street
Angola, In 46703 USA

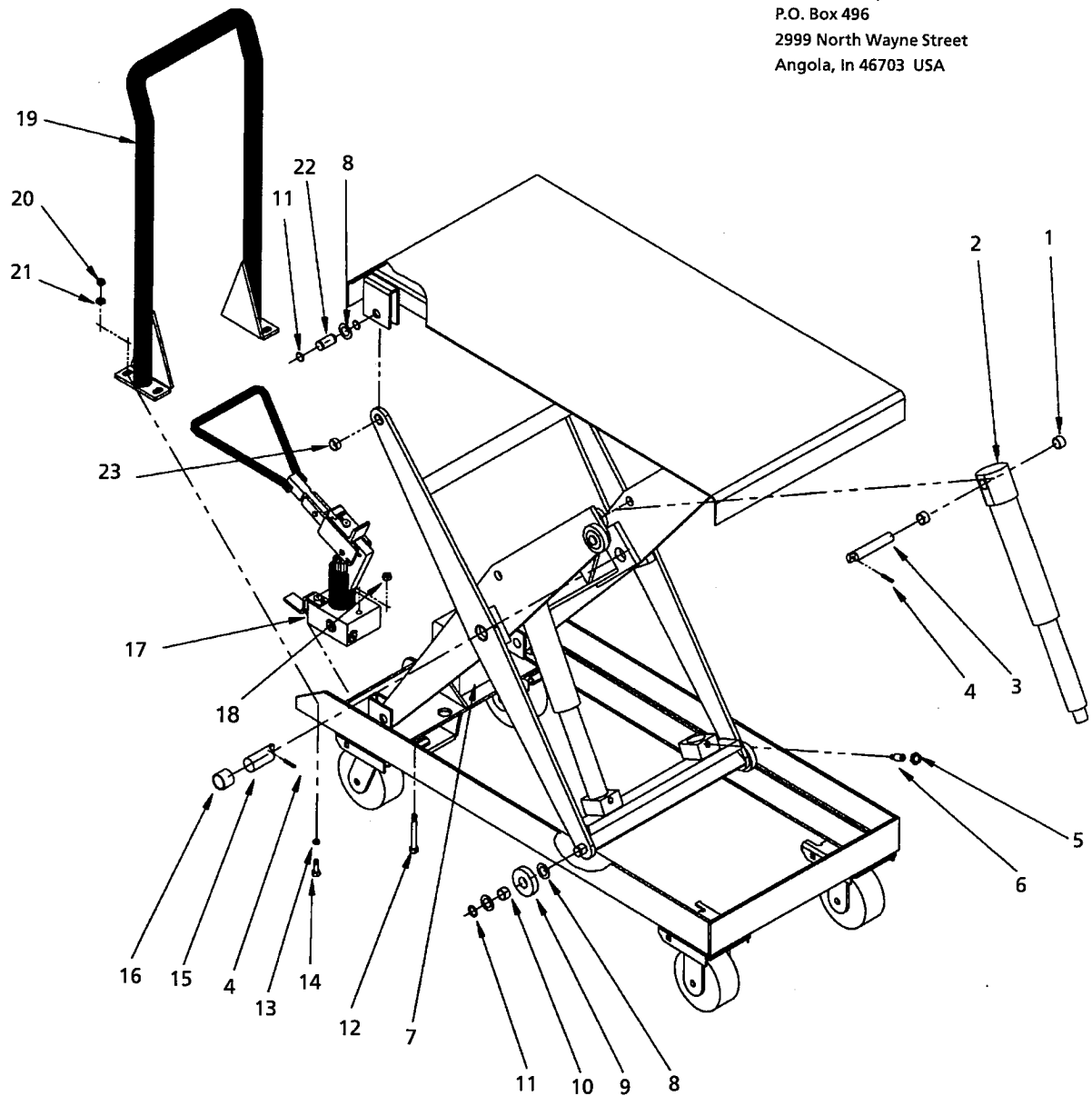


Figure 10 - CART-2000

Replacement Parts List for Hydraulic Elevating Cart - CART-2000

Reference Number	Description	Engineer Number	Part Number	Quantity
1	Bearing Sleeve 3/4" D x 3/4" lg.	01-111-009	C2001-2	4
2	Cylinder, Hydraulic 1-1/2" D x 7" STK	01-021-030	C2002-2	2
3	Pin, Cylinder Pivot 3/4" D x 4-1/4" lg.	01-112-010	C2003-2	2
4	Pin, Spring 3/16" D x 1-1/8" lg.	64134	C2004-2	4
5	Nut, Jam 1/2"-13 unc	36209	C2005-2	2
6	Bolt, Cylinder Retaining	01-118-002	C2006-2	2
7	Reservoir, Plastic Tank	01-023-003	C2007-2	1
8	Shim, Machine Busing 3/4" ID x 18 ga.	33424	C2008-2	12
9	Roller, 2-1/4" D x 1/2" W	01-027-002	C2009-2	4
10	Bearing, Sleeve 3/4" D x 1/2" lg.	01-111-008	C2010-2	4
11	Retainer Snap Ring, External for 3/4" D Pin	68015	C2011-2	12
12	Screw, HHCS 3/8"-16 unc x 3" lg.	11115	C2012-2	2
13	Screw, HHCS 5/16" -18 unc x 1" lg.	11055	C2013-2	4
14	Washer, Lock 5/16" nom ID	33620	C2014-2	4
15	Pin, Scissor Leg Pivot 1-1/8" D x 2-11/16" lg.	01-112-008	C2015-2	2
16	Bearing Sleeve 1-1/8" D x 1" lg.	01-111-005	C2016-2	2
17	Pump, Manual Foot 2-speed	01-640-005	C2017-2	1
18	Nut, Hex Nylock 3/8"-16 UNC	37024	C2018-2	2
19	Handle	01-525-001	C2019-2	1
20	Nut, hex Nylock 5/16"-18 UNC	37021	C2020-2	4
21	Washer, Flat 5/16" non ID	33006	C2021-2	4
22	Pin, Hinge 3/4" D x 1-7/16" lg.	01-112-009	C2022-2	4
23	Bearing, Sleeve 3/4" D x 3/8" lg.	01-111-004	C2023-2	4
24	Rigid Caster	16-132-022	C2024-2	2
25	Swivel Caster	16-132-053	C2025-2	2

For Replacement Parts, call 1-800-348-0860

Please provide following information:

- Model Number
- Serial Number
- Part description and number as shown in parts list

Address Correspondence to:

T&S Equipment Company
 P.O. Box 496
 2999 North Wayne Street
 Angola, In 46703 USA

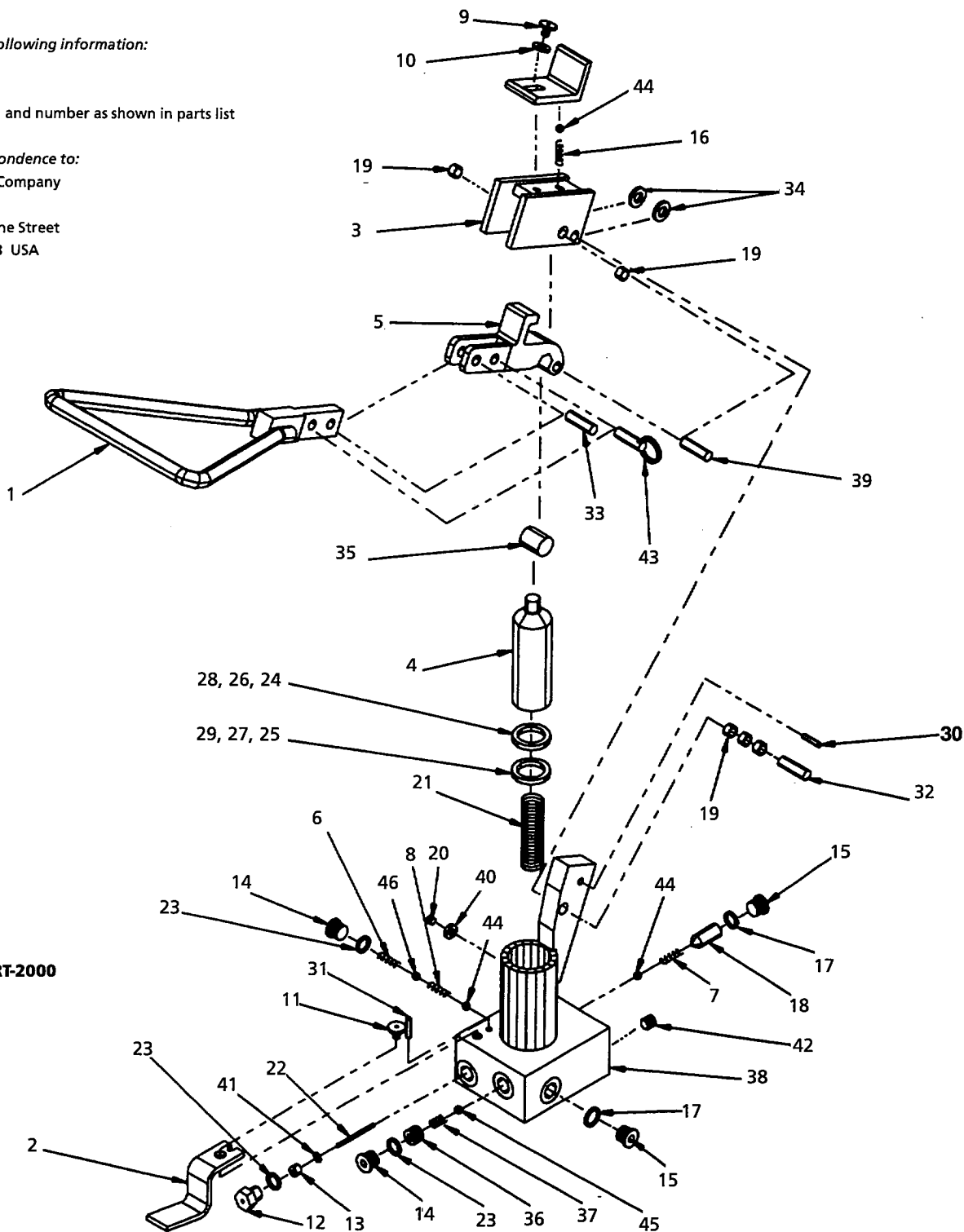


Figure 11 - CART-2000

For Replacement Parts, call 1-800-323-0620

Replacement Parts List for Hydraulic Elevating Cart - CART-2000

Reference Number	Description	Engineer Number	Part Number	Quantity
1	Assembly, Foot Pedal, Double Speed	n/a	VI081601	1
2	Release Lever	n/a	VI081604	1
3	Lever, First Link	n/a	VI081607	1
4	Assembly Pump Plunger	n/a	VI081605	1
5	Lever Second Link	n/a	VI081609	1
6	Outlet Check Spring (7/16" Steel Ball)	n/a	VI081610	1
7	Release Check Spring	n/a	VI081611	1
8	Inlet Check Spring (5/16" Steel Ball)	n/a	VI081612	1
9	Guide Shoulder Screw	n/a	VI081613	1
10	Guide Shoulder Screw Washer	n/a	VI081614	1
11	Release Lever Shoulder Screw	n/a	VI081615	1
12	Fitting O-Ring Plug	n/a	VI081616	1
13	Release Rod U-Cup Seal	n/a	VI081617	1
14	Fitting O-Ring Plug	n/a	VI081618	2
15	Dirt Plug	n/a	VI081619	2
16	Detent Latch Spring	n/a	VI081620	1
17	Dirt Plug Washer	n/a	VI081621	2
18	Pressure Compensated Flow Control Valve	n/a	VI081622	1
19	Sleeve Sintered Bronze Bearing	n/a	VI081623	5
20	Hexagon Socket Head Cap Screw	n/a	VI081624	1
21	Piston Return Spring	n/a	VI081625	1
22	Release Pin	n/a	VI081627	1
23	O-Ring	n/a	VI081628	3
24	Piston Wiper Seal (1.25)	n/a	VI081629	1
25	Piston U-Cup Seal (1.25)	n/a	VI081630	1
26	Piston Wiper Seal (1.00)	n/a	VI081655	1
27	Piston U-Cup Seal (1.00)	n/a	VI081656	1
28	Piston Wiper Seal (1.375)	n/a	VI081660	1
29	Piston U-Cup Seal (1.375)	n/a	VI081661	1
30	Spring Pin (0.25 x 1.5 lg.)	n/a	VI081631	1
31	Spring Pin (0.188 x 0.75 lg.)	n/a	VI081632	1
32	Round Head Groove Pin (0.375 x 1.50 lg.)	n/a	VI081633	1
33	Round Head Groove Pin (0.375 x 1 lg.)	n/a	VI081634	1
34	Round Head Groove Pin Washer	n/a	VI081635	2
35	Lever (Second Link) Roller	n/a	VI081636	1
36	Ritting Pressure Adjustment Plug	n/a	VI081641	1
37	Pressure Relief Spring	n/a	VI081642	1
38	Subassembly, Foot Pump Base	n/a	VI081644	1
39	Ground Dowell Pin (0.375 x 1.5 lg.)	n/a	VI081646	1
40	Socket Head Screw Sealing Washer	n/a	VI081647	1
41	Release Pin Seal Retaining Ring	n/a	VI081648	1
42	Assembly Hole Plug	n/a	VI081651	1
43	Detent Pin	n/a	VI081662	1
44	5/16" Steel Chrome Ball	n/a	n/a	1
45	3/8" Steel Chrome Ball	n/a	n/a	1
46	7/16" Steel Chrome Ball	n/a	n/a	1
47	Seal Kit	01-140-014	CRT2000-SK	1
48	Foot Pump Assembly	01-136-442	CRT2000-FPA	1

Hydraulic Elevating Carts

Troubleshooting Chart

Symptom	Possible Cause(s)	Corrective Action
1. Deck does not raise.	a. Excessive Load.	a. Remove part of the load.
	b. Oil is low.	b. Add additional oil to pump. Do not overfill. (Use AW-32 or equal).
2. Unit will pump under no load or when rapidly stroked.	a. Foreign material on relief valve seat.	a. Remove and clean inlet ball and seat.
	b. Relief valve is not completely closed.	b. Retighten relief valve with adjusting knob.
3. Platform raises when the pump is stroked but lowers on return stroke.	a. Outlet check is leaking.	a. Clean foreign material from ball and seal.
4. Spongy or jerky operation.	a. Check for foreign material stuck in the deck or frame rails.	a. Correct as necessary.
	b. Oil is low.	b. Add additional oil to pump. Do not overfill. (Use AW-32 or equal).
5. Deck lowers too fast	a. Pressure release adjusting knob is opened too rapidly and/or far.	a. Relieve system pressure by slowly turning pressure release knob.
6. Deck raises but does not lower.	a. Foreign material lodged in lowering valve causing valve not to open.	a. Clean foreign material from lowering valve. Check function of lowering valve.
	b. Free joint linkage is binding or damaged.	b. Replace as necessary.
	c. Foreign object blocking roller travel.	c. Correct as necessary.

WARNING: DO NOT ATTEMPT TO PERFORM ANY MAINTENANCE OR REPAIRS TO THE UNIT WITHOUT PROPERLY PLACING MAINTENANCE SUPPORTS IN PLACE. ALWAYS REMOVE WEIGHT BEFORE WORKING ON UNIT.

Model CART-2000

Troubleshooting Chart for CART-2000

Symptom	Possible Cause(s)	Corrective Action
1. Deck does not raise	a. Excessive load	a. Remove part of the load
	b. Oil is low	b. Fill oil to within one inch of the top of the reservoir.
	c. Pinched hose	c. Connect as necessary
	d. Relief valve set too low	d. Increase only as necessary
2. Foot pedal goes down hard but deck does not raise	a. Particle of dirt under the pressure relief	a. Lower deck - disassemble, clean and reassemble pressure relief *
	b. Particle of dirt under inlet check	b. Lower deck - disassemble, clean and reassemble inlet check valve*
3. Unit will pump up only under no load or when rapidly stroked, or pedal will stroke with out pumping	a. Pump is air locked	a. Bleed air from system
	b. Inlet check valve has foreign material on seat	b. Remove and clean inlet ball and seat*
	c. Relief setting is out of adjustment	c. Adjust relief setting higher
	d. Foreign material on relief valve seat	d. See 2-2
4. Platform raises when the pump is stroked but lowers on return stroke	a. Outlet check is leaking	a. Clean foreign material from ball and seat
5. Deck raises but takes too much effort	a. Change pump displacement speed	a. Slide locking collar back
6. Deck raises but is too slow	a. Change pump displacement speed	a. Slide locking collar forward
	b. Intake filter clogged	b. Lower deck - drain reservoir, clean and flush debris, refill with clean oil
	c. Foreign material stuck under pressure relief valve or under inlet check valve	c. Lower deck - disassemble, clean and reassemble pressure relief*

* Refer to exploded view on page 20

Hydraulic Elevating Carts

Troubleshooting Chart for CART-2000

Symptom	Possible Cause(s)	Corrective Action
7. Spongy or jerky operation	a. Check for foreign material stuck in the deck or frame rails	a. Correct as necessary
	b. Oil is low	b. Fill oil to within one inch of the top of the reservoir
	c. Air in hydraulic system	c. See 3-3
8. Deck lowers too slowly	a. Pinched hose	a. Correct as necessary
	b. Intake filter clogged	b. Fill oil to within one inch of the top of the reservoir
	c. Foreign material lodged in velocity fuse	c. Lower deck - disassemble, clean and reassemble*
	d. Foreign material lodged in pressure compensated flow control valve	d. Lower deck - disassemble, clean and reassemble*
9. Deck lowers too fast	a. Foreign material lodged in pressure compensated flow control valve	a. Lower deck - disassemble, clean and reassemble pressure relief*
10. Deck raises but does not lower	a. Foreign material lodged in pressure compensated flow control valve	a. Lower deck - disassemble, clean and reassemble pressure relief*
	b. Release pin bent or missing	b. Replace as necessary
	c. Foreign objects blocking roller travel	c. Connect as necessary
	d. Velocity fuse is locked	d. Remove air from hydraulic system, to unlock, repressurize system (refer to hydraulic section in manual)

* Refer to exploded view on page 20

Model CART-400, CART-750, CART-800-D, CART-1000, CART-1000-LD, CART-1500-D, CART-2000

Limited Warranty

T&S Limited Warranty - Hydraulic unit, frame, and mechanical components for Series CART are warranted by T&S Equipment Company to the original user against defects in workmanship or material under normal use for 90 days after date of purchase.

T&S 90-Day Limited Warranty - Wheels, bearings, and bushings for Series CART, are warranted by T&S Equipment Co. to the original user against defects in workmanship or materials under normal use for 90 days after date of purchase. For limited warranty claim procedures, see PROMPT DISPOSITION below. This limited warranty gives purchasers specific legal rights which vary from jurisdiction to jurisdiction. Any truck used under adverse conditions such as freezer applications, food service applications (stainless steel unit is recommended), or applications where the unit is operating in water or subjected to fluid or chemicals, is NOT covered under warranty.

Limitation of Liability. To the extent allowable under applicable law, T&S liability for consequential and incidental damages is expressly disclaimed. T&S liability in all events is limited to, and shall not exceed, the purchase price paid.

Warranty Disclaimer. T&S has made a diligent effort to provide product information and illustrate the product in this literature accurately; however, such information and illustrations are for the sole purpose of identification, and do not express or imply a warranty that the product is MERCHANTABLE, or FIT FOR A PARTICULAR PURPOSE, or that the product will necessarily conform to the illustrations or descriptions.

Except as provided below, no warranty or affirmation of fact, expressed or implied, other than as stated in "LIMITED WARRANTY" above is made or authorized by T&S Equipment Company.

Product Suitability. Many jurisdictions have codes and regulations governing sales, construction, installation, and/or use of products for certain purposes, which may vary from those in neighboring areas. While T&S attempts to assure that its products comply with such codes, it cannot guarantee compliance, and cannot be responsible for how the product is installed or used. Before purchase and use of a product, review the product applications, and all applicable national and local codes and regulations, and be sure that the product, installation, and use will comply with them.

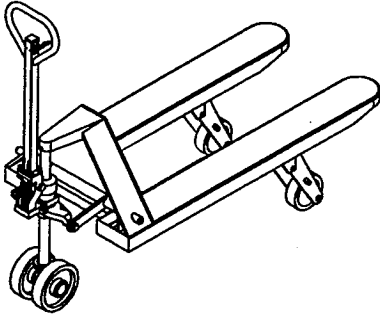
Certain aspects of disclaimers are not applicable to consumer products e.g., (a) some jurisdictions do not allow the exclusion or limitation of incidental or consequential damages, so the above limitation or exclusion may not apply to you; (b) also, some jurisdictions do not allow limitations on how long an implied warranty lasts, consequently the above limitation may not apply to you; and (c) by law, during the period of this Limited Warranty, any implied warranties of merchantability or fitness for a particular purpose applicable to consumer products purchased by consumer, may not be excluded or otherwise disclaimed.

Prompt Disposition. T&S will make a good faith effort for prompt correction or other adjustment with respect to any product which proves to be defective within limited warranty. For any product believed to be defective within limited warranty, first write or call dealer from whom product was purchased. Dealer will give additional directions. If unable to resolve satisfactorily, write to T&S at address below, giving dealer's name, address, date and number or dealer's invoice, and describe the nature of the defect. Title and risk of loss pass to buyer on delivery to common carrier. If product was damaged in transit to you, file claim with carrier.

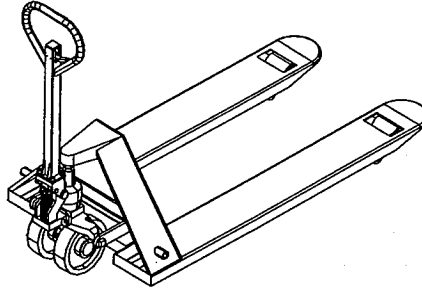
Manufactured for T&S Equipment Company, P.O. Box 496, Angola, IN 46703 U.S.A.

Specialty Pallet Trucks

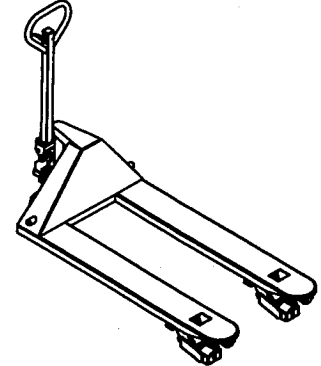
Deluxe Pallet Truck • Low Profile • Ergonomic Power Assist • Chrome Plated
• Zinc Coated • Galvanized • Stainless Steel • Wheel Nose • Pallet Truck with Scale •
Big Wheel • Side Winder • Skid Adaptor • Custom Sizes



Big Wheel Pallet Truck
model BW-PJ



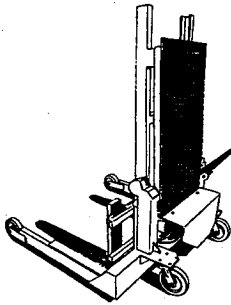
Deluxe Pallet Truck
model PM5-2748



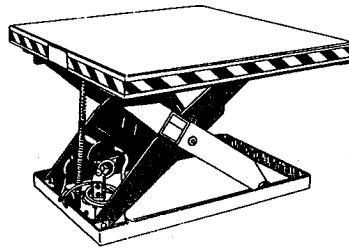
Side Winder Pallet Truck
model SW-PJ

Call for a free brochure

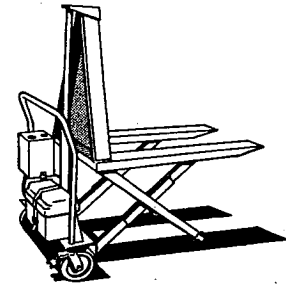
Material Handling Problem Solvers



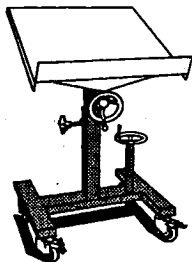
Pallet Server
model PM/PS



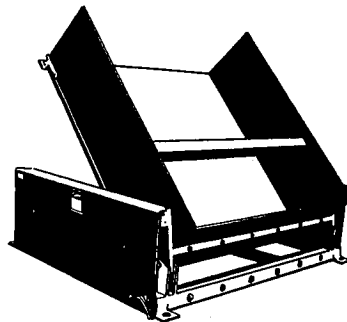
Scissor Table
model EHLT



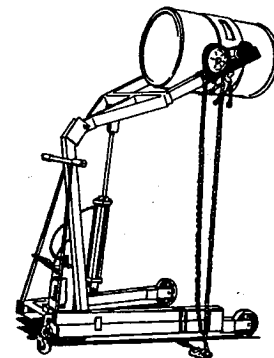
High Rise Lift Truck
model HIPM



Mobile Lift & Tilt Work Stand
model WT-2424



Ground Tilter
model GLT-4000



Drum Carrier Rotator
model HIPM